



## Product Features

- Small size
- 5 ~ 1100MHz (1dB Flat)
- High gain
- High linearity
- Higher productivity
- Low cost

## Applications

- Low Noise Amplifier for CATV, Satellite
- Cable Modem
- FTTH (G-PON, GE-PON)
- Optical node



Package Type : SOT-89

## Description

AE417 is designed as low cost drive amplifiers for many applications including FTTH, CATV System. This MMIC is based on Gallium Arsenide Enhancement Mode pHEMT which shows low current draw and very low noise. The data in this spec sheet is valid only for 75 ohm application. 50 ohm data is in a separate spec sheet.

## Electrical Specifications

PARAMETER	UNIT	MIN	TYP	MAX	CONDITION
Frequency	MHz	5	-	1100	-
Gain	dB	13	15.5 14	-	5 ~ 200MHz 30 ~ 1000MHz
Gain Flatness	dB	-	1	-	10 ~ 1100MHz
Input Return Loss	dB	-	-18	-12	-
Output Return Loss	dB	-	-16	-14	-
Output IP3	dBm	38	41	-	@ 500MHz/5dBm 2tone
1dB Compression Point	dBm	22	25	-	@ 500MHz
Noise Figure	dB	-	3	4	5 ~ 1000MHz
CSO	50 ~ 870MHz	dBc	-	-63	135Channel@30dBmV/Ch
CTB		dBc	-	-73	
XMOD		dBc	-	-76	
DC Current	mA	-	120	-	Vdd = 8.0V

### Note

1. Test conditions unless otherwise noted. Test Freq = 500MHz, T=25°C, Vdd=8V, 75Ω system
2. OIP3 measured with 2 tones at an output power of +5dBm/tone separated by 1MHz, Test Freq = 500MHz

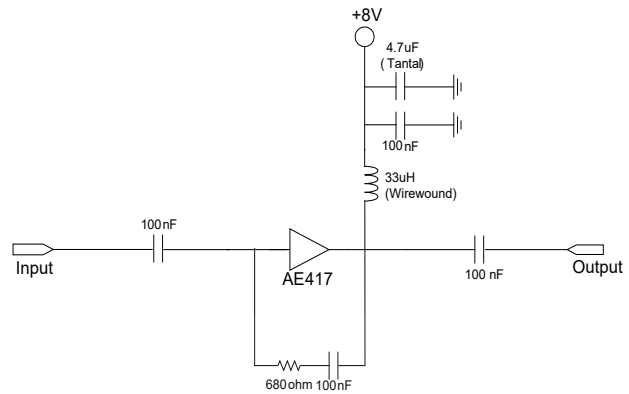
## Absolute Maximum Ratings

PARAMETER	UNIT	MIN	TYP	MAX
Device Voltage	VDC	-	8	12
Operating Case Temperature	°C	-40	-	85
Storage Temperature	°C	-40	-	150
ESD Human Body Model	-	-	Class 1B	-
Moisture sensitivity Level	-	-	MSL1	-
Junction temperature	°C	-	-	180
Thermal Resistance (Rth)	°C/W	-	50	-

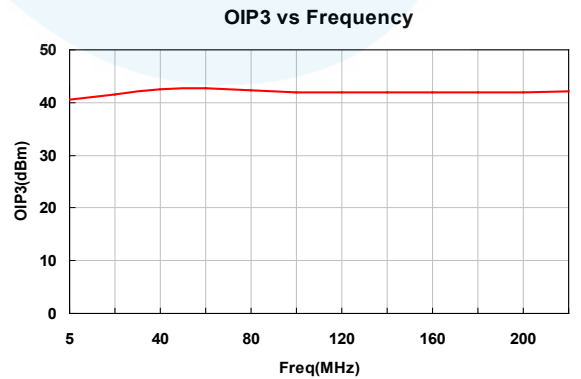
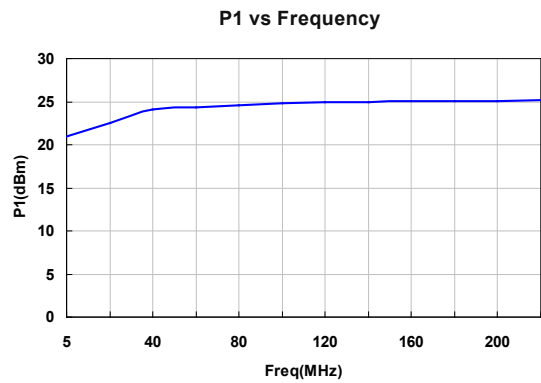
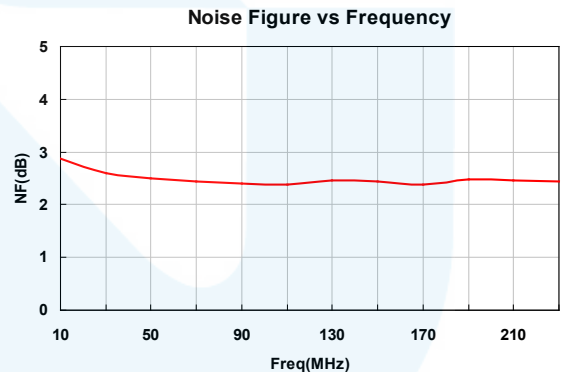
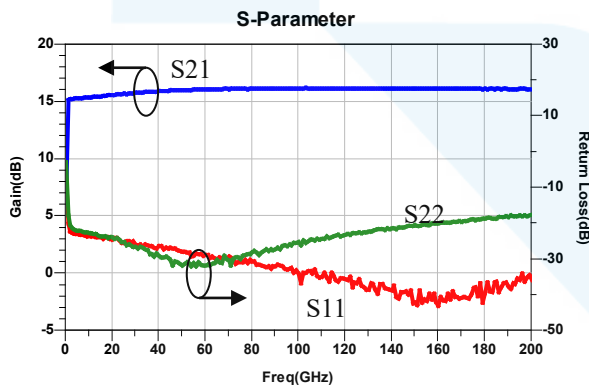
Application Circuit @ 5 ~ 200MHz, 75ohm System

PARAMETER	UNIT	TYPICAL			
Frequency	MHz	5	25	50	100
Gain(S21)	dB	15.5			
IRL(S11)	dB	-23	-25	-28	-34
ORL(S22)	dB	-22	-25	-31	-25
Output IP3	dBm	40.5	41.5	42.5	42
P1dB	dBm	21	22.5	24	24.5
Noise Figure	dB		2.7	2.5	2.4
CSO(1)	dBc	-67			
CTB(1)	dBc	-81			
XMOD(1)	dBc	-73			
Current	mA	120			

(1) 8channels, +45dBmV/ch



Typical Performance @ VDD=8V, IDS=120mA, T=25°C, 75ohm System



**Multi-Tone** : Test 8CH\_FLAT@Output Power +45dBmV/Ch

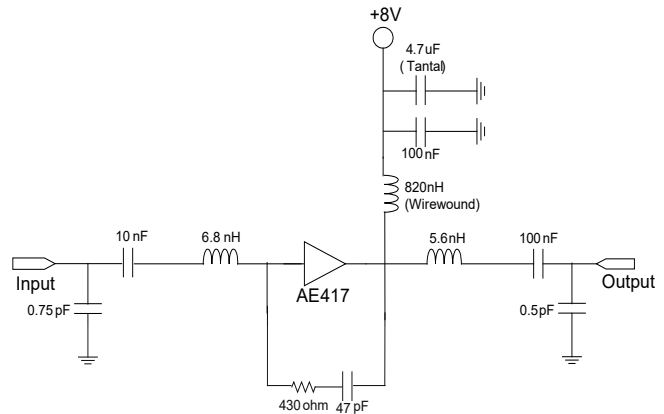


Level : +45dBmV      Tilt : 135CH_FLAT										
FRQ	XMD (NCTA)	CTB RAW	CTB COR	N-FLR	CSU RAW	CSU COR	CSU FRQ	CSL RAW	CSL COR	CSL FRQ
7	73.4	82.1	82.5	92.4	91.4	95.7	7.66	65.3	65.3	5.99
31	74.7	81.1	81.5	91.5	68.7	68.7	31.99	70.3	70.3	29.99
49	72.6	81.8	82.4	90.8	70.7	70.7	49.99	90.3	94.6	48.21
Min	72.6	81.1	81.5	90.8	68.7	68.7	7.66	65.3	65.3	5.99
Max	74.7	82.1	82.5	92.4	91.4	95.7	49.99	90.3	94.6	48.21



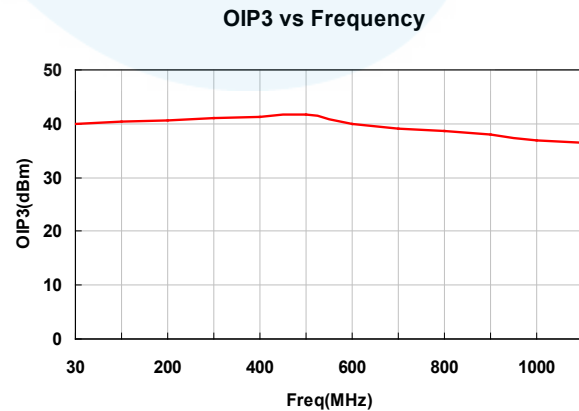
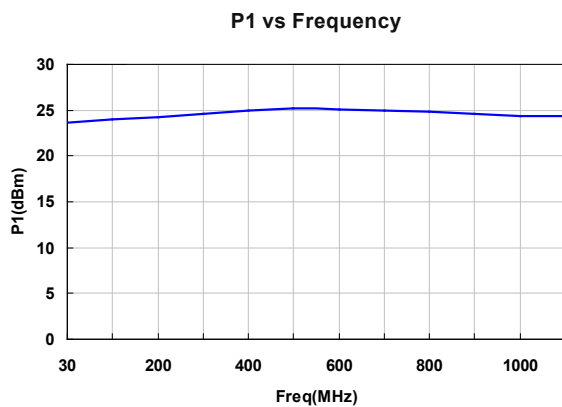
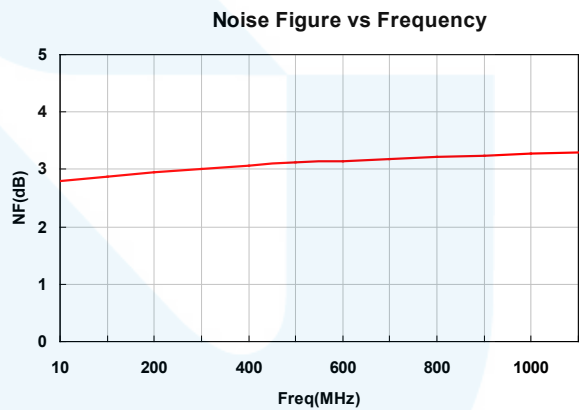
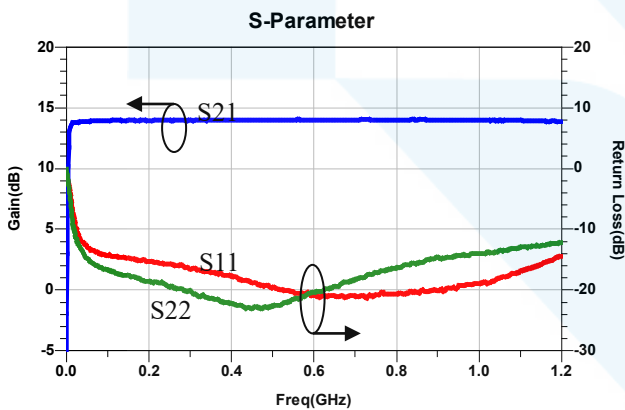
Application Circuit @ 30 ~ 1000MHz, 75ohm System

PARAMETER	UNIT	TYPICAL		
Frequency	MHz	30	500	1000
Gain(S21)	dB	14		
IRL(S11)	dB	-11	-19	-18
ORL(S22)	dB	-12	-22	-14
Output IP3	dBm	40.5	41.5	36.5
P1dB	dBm	22	25.5	24
Noise Figure	dB	2.8	3.1	3.3
CSO(1)	dBc	-62		
CTB(1)	dBc	-73		
XMOD(1)	dBc	-76		
Current	mA	120		



(1) 135channels, +30dBmV/ch

Typical Performance @ VDD=8V, IDS=120mA, T=25°C, 75ohm System



**Multi-Tone Test : 135CH\_FLAT@Output Power +30dBmV/Ch**

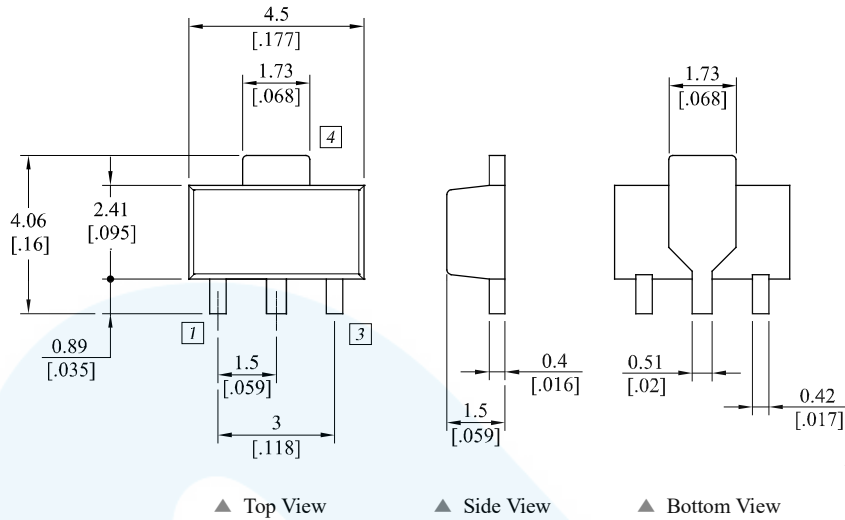
Level : +30dBmV Tilt : 135CH_FLAT										
FRQ	XMD (NCTA)	CTB RAW	CTB COR	N-FLR	CSU RAW	CSU COR	CSU FRQ	CSL RAW	CSL COR	CSL FRQ
55.25	76.8	76.5	80.8	77	76	80.3	55.99	62.6	62.7	53.99
77.25	79	76.2	80.5	76.5	62.2	62.3	77.99	76.3	80.7	76.38
109.25	79.3	76.5	80.8	77.3	75.2	79.5	109.99	62.2	62.3	107.99
211.25	78.7	76.4	80.7	77.1	75.2	79.6	211.99	62.7	62.9	209.99
331.25	78.5	74.4	78.7	75.7	73.5	77.9	332.49	63	63.2	329.98
445.25	78.6	74.9	79.3	76.6	72.9	75.5	446.48	63.2	63.4	443.99
547.25	78	72.9	77.3	74.3	70.5	72.7	548.49	63.3	63.6	545.98
637.25	77.6	73.1	77.4	75	69.1	70.4	638.49	64.8	65.2	635.98
745.25	77.3	72.4	76.7	74.5	67.4	68.4	746.49	67.2	68.1	743.98
859.25	75.9	71.1	75.4	72.6	65.5	66.3	860.49	71.8	76.1	858.49
Min	75.9	71.1	75.4	72.6	62.2	62.3	55.99	62.2	62.3	53.99
Max	79.3	76.5	80.8	77.3	76	80.3	860.49	76.3	80.7	858.49

**Multi-Tone Test : 135CH\_FLAT@Output Power +20dBmV/Ch**

Level : +20dBmV Tilt : 135CH_FLAT										
FRQ	XMD (NCTA)	CTB RAW	CTB COR	N-FLR	CSU RAW	CSU COR	CSU FRQ	CSL RAW	CSL COR	CSL FRQ
55.25	94.4	80.3	84.6	80.4	79.5	83.8	55.99	71	71.5	53.99
77.25	99.5	80.4	84.8	80.8	71.4	72	77.99	80.2	84.5	76.17
109.25	95.5	80.1	84.5	80.6	80.2	84.5	109.99	71.5	72.1	107.99
211.25	97.8	79.9	84.2	80.2	79.5	83.8	211.98	72.8	73.6	209.98
331.25	95.7	79.2	83.6	79.6	78.9	83.3	331.99	72.8	73.7	329.99
445.25	96	80	84.3	80.6	79.2	83.6	446.49	73.2	74	443.99
547.25	97.6	78.6	82.9	78.8	77.2	81.6	548.49	72.6	73.8	545.98
637.25	94.1	78.5	82.8	78.6	76.7	81.1	638.49	73.9	75.5	635.98
745.25	97.2	78.3	82.6	78.6	75.5	78.6	746.49	75.8	78.8	743.99
859.25	94.3	76.6	81	77.1	73.7	76.7	860.48	76.6	81	858.5
Min	94.1	76.6	81	77.1	71.4	72	55.99	71	71.5	53.99
Max	99.5	80.4	84.8	80.8	80.2	84.5	860.48	80.2	84.5	858.5

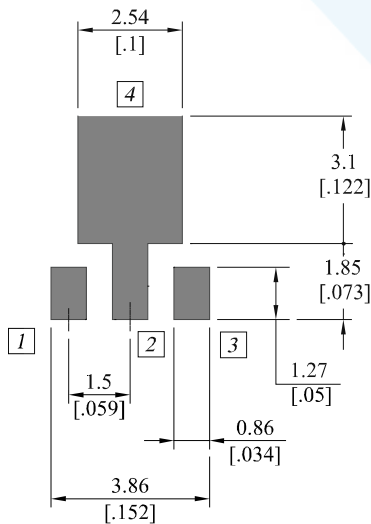
Package Dimensions (Type: SOT-89)

\* Unit: mm[inch] | Tolerance  $\pm 0.2$ [.008]

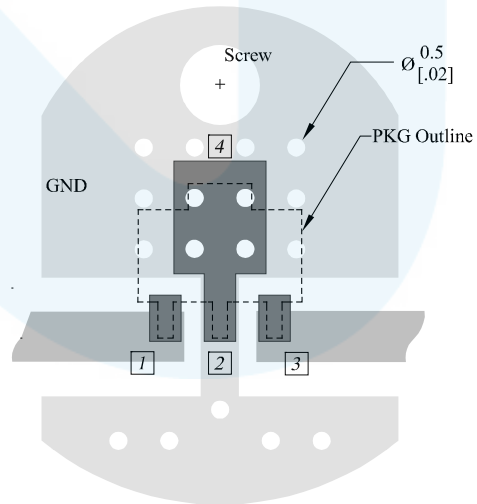


Pin Description			
Pin No	Function	Pin No	Function
1	Input	4	GND
2	GND	-	-
3	Output / Bias	-	-

Recommended Pattern



Recommended Mounting Configuration



\* Mounting Configuration Notes

1. Ground / thermal via holes are critical for the proper performance of this device.
2. Add as much copper as possible to inner and outer layers near the part to ensure optimal thermal performance.
3. Mounting screws can be added near the part to fasten the board to a heatsink. Ensure that the ground / thermal via hole region contacts the heatsink.
4. Do not put solder mask on the backside of the PCB in the region where the board contacts the heatsink.
5. RF trace width depends upon the PCB material and construction.
6. Use 1 oz. Copper minimum.

**Revision History**

Part Number	Release Date	Version	Modification	Data Sheet Status
AE417	2014.04.22	1.2	Absolute Maximum Ratings (Delete Tj Typ)	-
AE417	2012.10.15	1.1	New datasheet format	-



**Certification**

This product is manufactured by a company that is certified for the AS9100D quality management system.

RFHIC Corporation reserves the right to make changes to any products herein or to discontinue any product at any time without notice. While product specifications have been thoroughly examined for reliability, RFHIC Corporation strongly recommends buyers to verify that the information they are using is accurate before ordering. RFHIC Corporation does not assume any liability for the suitability of its products for any particular purpose, and disclaims any and all liability, including without limitation consequential or incidental damages. RFHIC products are not intended for use in life support equipment or application where malfunction of the product can be expected to result in personal injury or death. Buyer uses or sells such products for any such unintended or unauthorized application, buyer shall indemnify, protect, and hold RFHIC Corporation and its directors, officers, stockholders, employees, representatives and distributors harmless against any and all claims arising out of such unauthorized use. All sales inquiries and support should be directed to the local authorized geographic distributor for RFHIC Corporation. For customers in the US, please contact the US sales team through our website at <https://rfhic.com/rfhic-us/>. For all other inquiries, please contact our international sales team through our website portal at <https://rfhic.com/contact/>